

## MB CAP BUFFER MODULE

IN:23-30 VDC OUT:22-28VDC/20A for 200ms

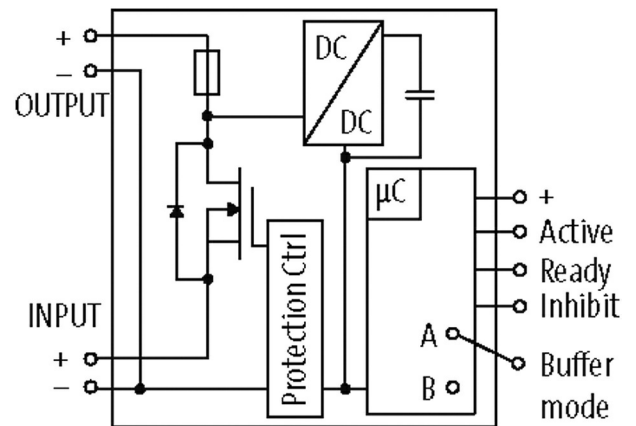
INPUT: 24 V DC (SELV/PELV)

OUTPUT: max. 20 A

0.2 s (20 A); 4 s (1 A)

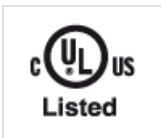
### [Link to Product](#)

#### Illustration



Product may differ from Image

#### Approvals



#### Input

Input voltage	23...30 V DC (SELV/PELV)
Input current	85 mA
Protection of voltage spikes	max. 35 V DC
Loading time	20...45 s
Loading current	max. 500 mA

**Output**

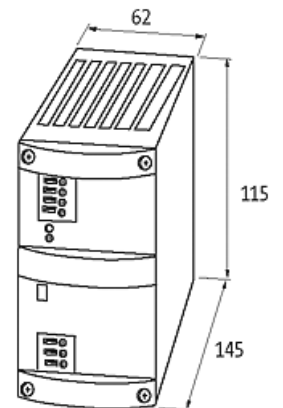
Output voltage	24 V DC (22...28 V DC)
Output current	max. 20 A (+70 °C)
Current limit	26 A
Buffer time	0.2 s (20 A); 4 s (1 A)
Ripple	max. 200 mV ss/pp
Parallel circuit	possible

**General data**

Standards	EN 61000-6-2, EN 61000-6-3, EN 55022 B, EN 60950-1, SELV
Mounting method	DIN-rail mountable TH35 (EN 60715)
Efficiency	95%
Temperature range	0...+70 °C (storage temperature -25...+85 °C)

**Commercial data**

country of origin	CZ
customs tariff number	85322200
EAN	4048879000123
eClass	27049190
Packaging unit	1

**Sketch**

Product may differ from Image